

## Service Trolleys Plate and Rack Trolley

ITEM # \_\_\_\_\_

MODEL # \_\_\_\_\_

NAME # \_\_\_\_\_

SIS # \_\_\_\_\_

AIA # \_\_\_\_\_



361296 (MDNT4B3S)

Plate and Basket  
(500x500mm) Trolley

### Short Form Specification

Item No. \_\_\_\_\_

Constructed in 304 AISI stainless steel. Framework in mm25 tubing, completely welded. Seamless base, upper and back shelves with upturned edges, welded to the framework. One side has three inclined shelves to accommodate stacked plates; the other side has L-shaped runners to accommodate n. 4 dishwashing baskets mm500x500. The handles are an extension of the load-bearing frame. N. 4 swivelling castors, two with brakes, mm125 in diameter, fitted with plastic bumpers.

### Main Features

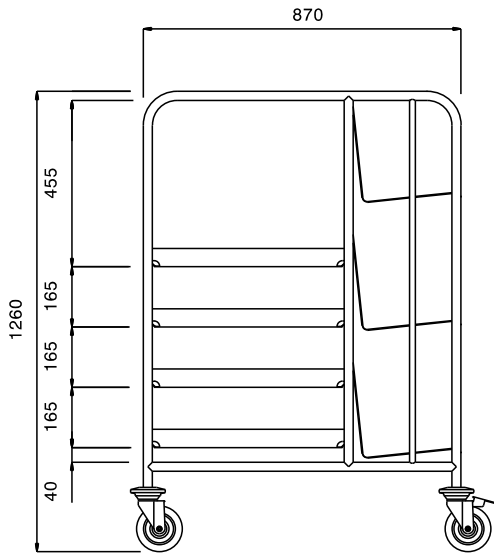
- Framework in 25 mm tubing, completely welded.
- Equipped with L-shaped runners.
- Seamless base, upper and back shelves with upturn edges welded to the framework.
- Accommodates 4 dishwashing baskets 500x500 mm.
- One side to have three inclined shelves to accommodate stacked plates.
- 4 pivoting Ø 125 mm wheels, 2 of which with brakes, fitted with plastic bumpers

### Construction

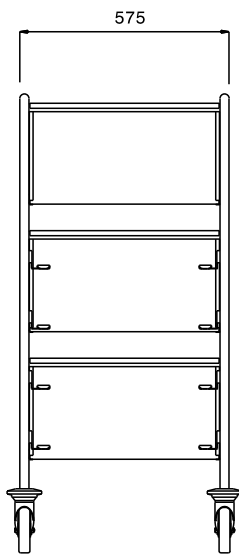
- Constructed entirely in 304 AISI stainless steel.

APPROVAL: \_\_\_\_\_

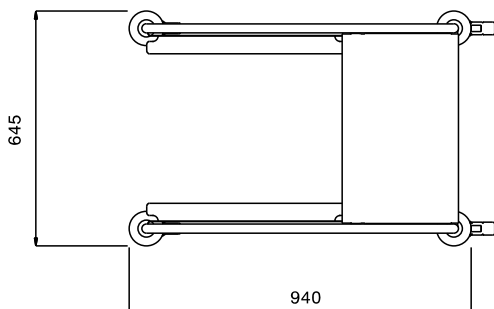
Front



Side



Top



**Key Information:**

External dimensions, Width:	
<b>361296 (MDNT4B3S)</b>	645 mm
External dimensions, Depth:	940 mm
External dimensions, Height:	1260 mm
Wheel material:	Zinc plated
Wheel diameter:	Ø 125
Net weight:	22 kg